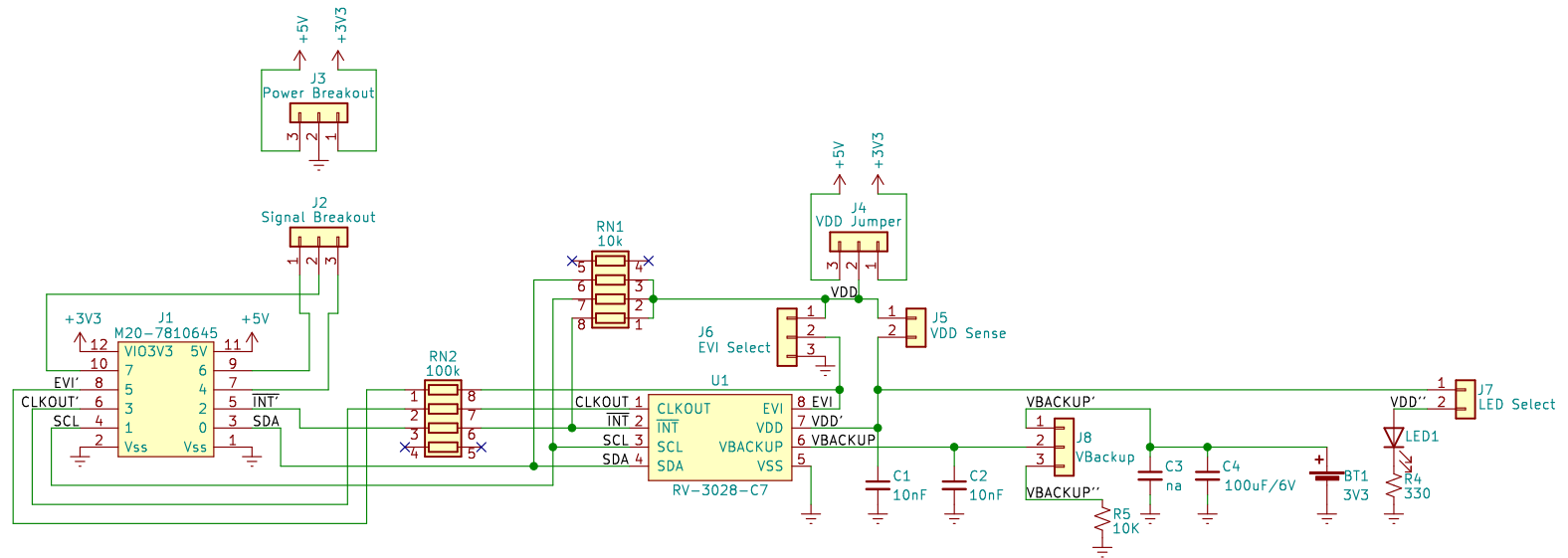


VDD → PWR\_FLAG  
 VDD' → PWR\_FLAG  
 VBACKUP → PWR\_FLAG  
 GNDREF → PWR\_FLAG



Author: Carroll J Moore Jr  
**CJM**

Sheet: /  
 File: RV-3028-C7.sch

**Title: RTC RV-3028-C7 Development Board for P2 Boards**

Size: A4 Date: 2020-12-29

KiCad E.D.A. kicad (5.1.6)-1

**Rev: 1**

Id: 1/1